

Flexible Copper Connector



Features

Conductivity above 99.9%

Shock Absorption

Flexible

Suitable for acid and alkali condition

Application

Transformer and Generator lead to Terminal

Busway and DC Device lead to Terminal

Movable parts of switch, Spot welder, and Furnace

Circuit in narrow Space

For the electric vibration equipment

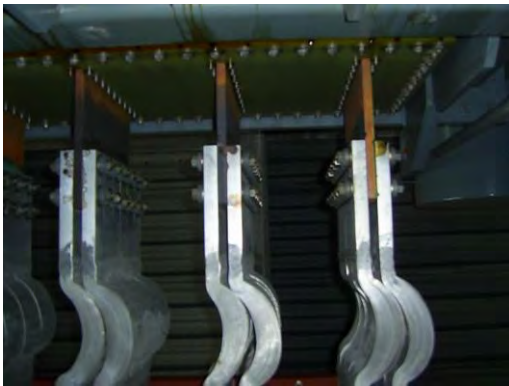
Product pictures



Transformer lead to Terminal



For the electric vibration equipment



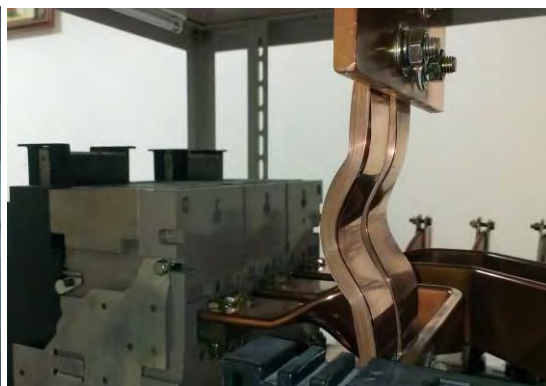
Bus Way lead to Terminal



DC Device lead to Terminal



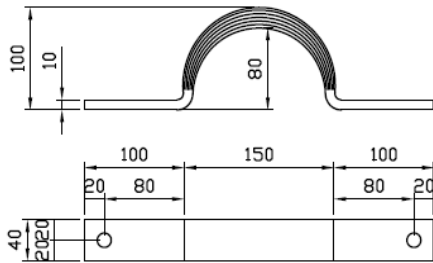
Movable parts of switch



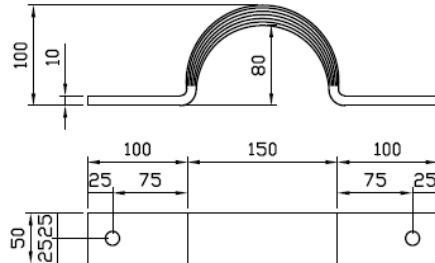
Bridging position offset adjustment

Specification

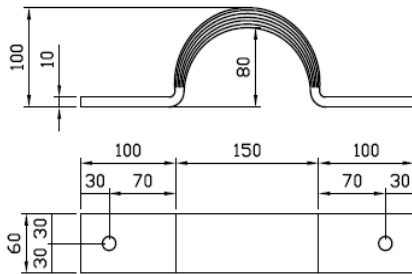
Standard Specification



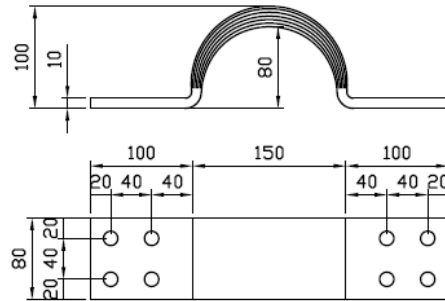
TYPE : T350			
Rate current	Thickness	Width	Hole diameter
1050 A	10 mm	40 mm	14Φ



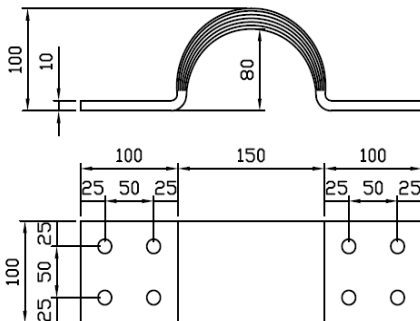
TYPE : U350			
Rate current	Thickness	Width	Hole diameter
1300 A	10 mm	50 mm	14Φ



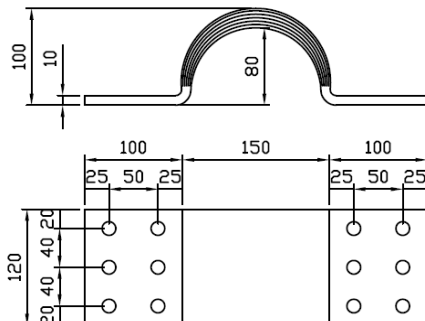
TYPE : V350			
Rate current	Thickness	Width	Hole diameter
1500 A	10 mm	60 mm	14Φ



TYPE : W350			
Rate current	Thickness	Width	Hole diameter
1640 A	10 mm	80 mm	14Φ



TYPE : X350			
Rate current	Thickness	Width	Hole diameter
2040 A	10 mm	100 mm	14Φ



TYPE : Y350			
Rate current	Thickness	Width	Hole diameter
2200 A	10 mm	120 mm	14Φ

***Note : Stretching length is 30—40mm.**

Standard Welding Length is 100 mm, customized service is available.