

NORTHERN TECHNOLOGIES SA

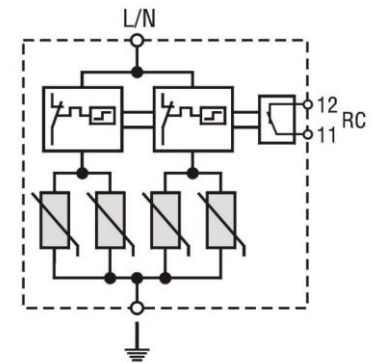
MER 25 / 320V Clas I,II – IEC; Class B - VDE



$$I_{IMP} (10/350) = 25 \text{ kA}$$

$$I_{MAX} (8/20) = 150 \text{ kA}$$

$$U_P (I_{IMP}) < 1 \text{ kV}$$



MER 25 is an SPD for protection against partial direct and indirect lightning strikes.

Protective element is MOV.

MER 25 is intended for protection in zones O_A-1.

Location of use: main distribution boards

Type	MER 25 / 320V
Certified under; tested to	UL 1449,(UL file E213469); IEC – 61643-1
Class (IEC)	I, II
Max permitted operating voltage	335V
Nominal discharge current (8/20) In	70kA
Max discharge current (8/20) I _{max}	150kA
Max discharge current (10/350) I _{imp}	25kA
Protection level Up – at I _{imp} (10/350)	1.2kV
Response time t _A	<25 ns
Back –up fuse (if mains is > 250A)	250Agl
Short – circuit capability to	25kA / 50Hz
Temperature range	-40°C+80°C